



5W-100W 声光调 Q 脉冲光纤激光器

使用手册

版权说明

“ ”

引 语

MFP Q

‘ ’

MFP Q

公司简介

2004

<http://www.maxphotonics.com>



:
: <http://www.maxphotonics.com>
: 400-900-9588
: +86-755-36869377
: info@maxphotonics.com

.....	1
第一章 特性说明	4
第二章 安全信息	5
1-	5
2-	6
3-	6
4-	10
第三章 产品描述	11
1-	11
2-	11
3-	12
第四章 详细规格	13
1-	13
2-	15
3-	16
第五章 使用指南	18
1-	18

2-DB25	20
3-	22
4-	24
5-	25
第六章 常见故障处理	26
第七章 服务与维修	30
1-	30
2-	30
第八章 保修声明	31
1-	31
2-	31

第一章 特性说明

MFP

Q

$1064 \pm 5\text{nm}$




MFP

Q

Class 4

第二章 安全信息

1 -

5W/10W/20W/30W/50W/70W/100W

Class IV
1064nm

2-

1

2

LaserVision USA Kentek Corporation Rochwell Laser Industries

3-

1

2

3

1

2

3

5

6

7

8

4

MFP Q 24VDC

	+24VDC
	GND

DC 24VDC

5

1

2

5cm



3

3

6

- 1
- 2
- 3
- 4
- 5
- 6

7

4-

Laser Institute of America(LIA)
13501 Ingenuity Drive, Suite 128
Orlando,Florida 32826
Phone:407 380 1553,Fax: 407 380 5588
Toll Free:1 800 34 LASER

American National Standards Institute
ANSI Z136.1, American National Standard for the Safe Use of Lasers
(Available through LIA)

International Electro-technical Commission
IEC 60825-1, Edition 1.2

Center for Devices and Radiological Health
21 CFR 1040.10 - Performance Standards for Light-Emitting Products

US Department of Labor - OSHA
Publication 8-1.7 - Guidelines for Laser Safety and Hazard Assessment.
Laser Safety Equipment

Laurin Publishing
Laser safety equipment and Buyer' s Guides

第三章 产品描述

1 -

MFP

Q

Q

MOFA

1064nm

25Pin

1

2

3

4

25

1

2

2-

MFP-5W	5W	Q
MFP-10W	10W	Q
MFP-20W/H/X	20W	Q
MFP-30W/H/X	30W	Q
MFP-50W/H/X	50W	Q
MFP-70W	70W	Q
MFP-100X	100W	Q

3-

第四章 详细规格

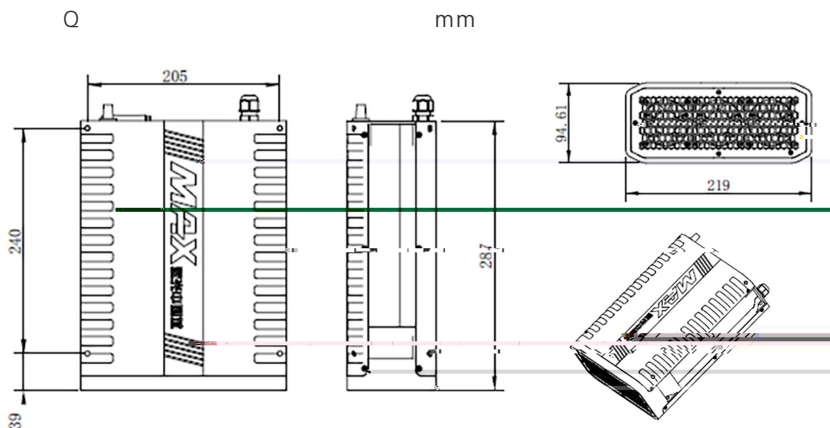
1 -

1						
2						
3	M ²	MFP-5W/10W/20X/ 20W/30X	1.1	1.3	1.5	
		MFP-20H/30W/30H/50W/ 50X/50H/70W/100X	1.1	1.3	1.6	
4		Pout=Pnom	1060	1064	1070	nm
5	(3dB)	Pout=Pnom	5	5	10	nm
6	(Pnom)	MFP-5W	4.5	5	5.5	W
		MFP-10W	9.5	10	10.5	
		MFP-20X	20	21	22	
		MFP-20W/H	22	22.5	23	
		MFP-30X@40K	29	29.5	30	
		MFP-30X@30K	24	25	26	
		MFP-30W/H	29	30	31	
		MFP-50W/H/X	49	50	51	
		MFP-70W	69	70	71	
		MFP-100X	100		105	
7			10		100	%
8		MFP-5W		0.5		mJ
		MFP-10W		0.45		
		MFP-20W/20X/30X	0.68	0.75	0.78	
		MFP-20H/30W/50W/50X		1		
		MFP-30H/70W/50H/100X	1.4	1.45	1.5	

2-

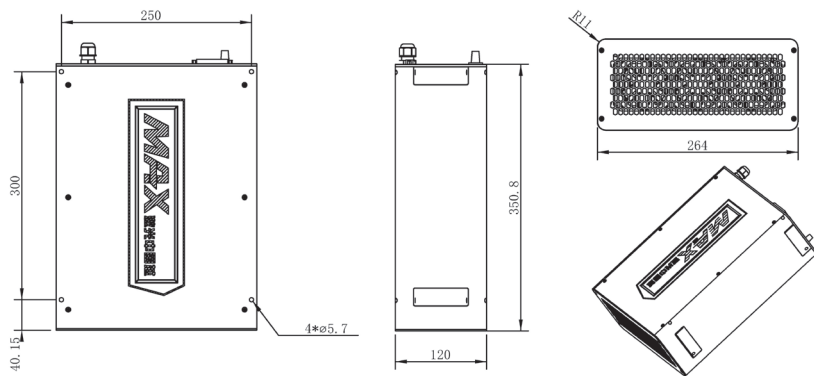
1			10		42	
2			-10		60	
3						
4					1	min
					10	min
5			10		95	%
6		Q	345.5× 266.2× 120			mm
		Q	287× 219× 94.61			
		MFP-100X	360× 120× 264			
7		MFP-5W		7		kg
		MFP-10W		7		
		MFP-20W/X		7		
		MFP-30W/H/X		7		
		MFP-5W		7		
		MFP-10W		7		
		MFP-20W/H/X		7		
		MFP-30X		7		
		MFP-50W/H/X		7		
		MFP-70W		12		
		MFP-100X		12.7		
8			23	24	25	VDC
9		MFP-5W		90		W
		MFP-10W		120		
		MFP-20W/H/X		150		
		MFP-30W/H/X		240		
		MFP-50W/H/X		360		
		MFP-70W		450		
		MFP-100X		500		

3-

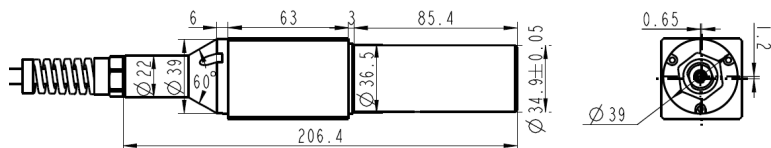


Q-5W-70W

mm



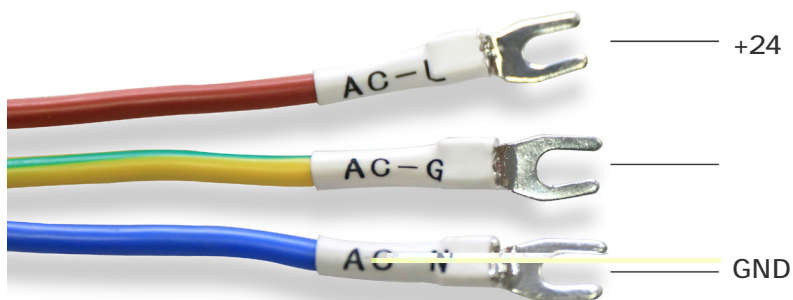
mm



第五章 使用指南

	1
	1

1-



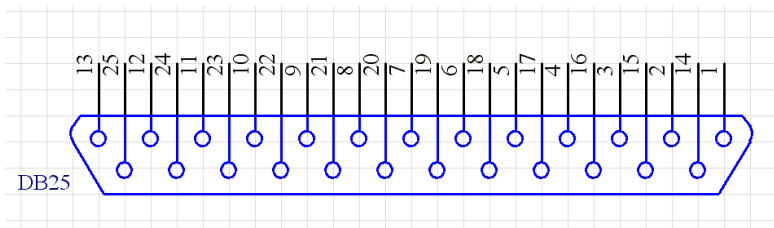
2-DB25

1

Pin TTL

TTL

Pin#	Pin#	Pin#	Pin#	Pin#	Pin#
1-8	D0-D7	16	0-FF	10	0-255
		LSB(D0)	Pin1, MSB(D7)		Pin8
		- 00h(0):			
		- FFh(255):			
		-		00h.	
9		Latch			
10-15					
16	21	Pin11	Pin12	Pin16	Pin21
		L	L	L	L
		L	L	L	H
		L	L	H	L
18		MO			
	- H	MO			
	- L	MO			
19		Booster		/	
	- H	Booster			
	- L	Booster			
20		PRR		0.1-0.9	
22		/			
	- H				
	- L				
23		OK(
	- L	STOP(



2 DB-25

1 DB25 5.2.1

2 Pin1~8 8bit Pin1 LSB Pin8 MSB Pin
 0-255 0-100%

	1	2	3	4	5
1	0	0	0	0	1
2	0	0	0	0	1
3	0	0	0	0	1
4	0	0	0	0	1
5	0	0	0	1	1
6	0	0	1	1	1
7	0	1	1	1	1
8	1	1	1	1	1
	50%	75%	87.5%	93.75%	100%
	35%	65%	85%	92%	100%

3 Pin16 Pin21 2Pin

16	21	
L	L	
L	H	
H	H	MO

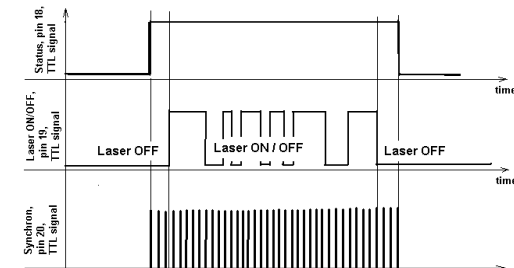
4 Pin18 MO MO Booster BS

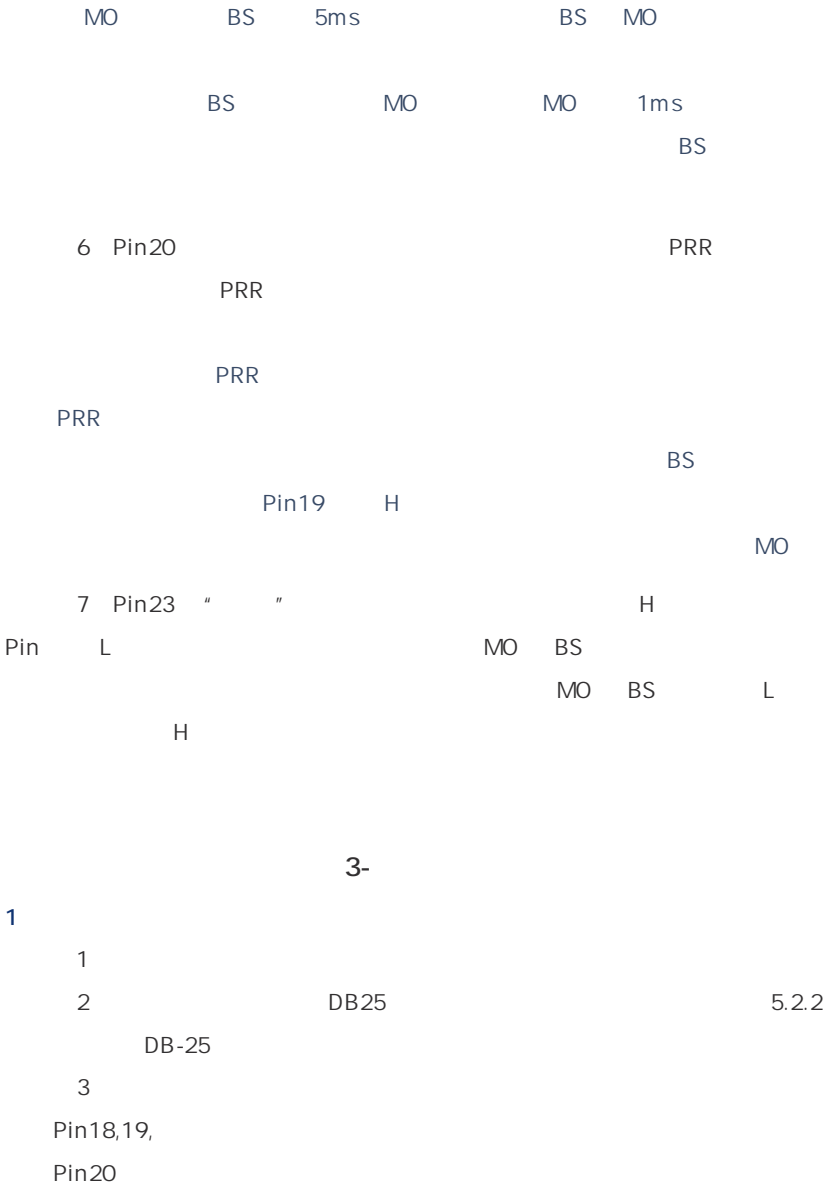
5ms MO

5 Pin19 Booster BS H

BS L BS Pin19 H

L





4	24VDC								+24V
5		24VDC							
		24VDC							
6		Pin23		H					
7	Pin1~8								
8	Pin18	H		MO					
9	5ms								
10	Pin19					H/L			
	/					4			
				/			250us		
500us		2kHz							
11									
20ms		MO				MO			MO
12			BS	MO	Pin18	Pin19		L	
13	24VDC								
2									
1				Pin20	PRR		PRR		
					PRR				
	20kHz			50us					
	PRR								
2				Pin1~8					
3	Pin18	H	Pin19	L				20mW	

4
Pin21

+45

+45
Pin16

4-

MFP

Q

SAMight				
	/			
1		50	100	Us
2		50	100	Us
3		50	100	Us
4		-60	-150	Us
5		60	150	Us

EzCad				
	/			
1		50	150	Us
2		50	150	Us
3		-50	-200	Us
4		20	150	Us
5		60	150	Us

	/			
1		50	100	Us
2		50	100	Us
3		20	100	Us
4		-50	-200	Us
5		50	150	Us

5-

	20X	20W	20H	30X	30W	30H	30H	50X	50W	50H	70W	100X
F=100	A+	A+	A+	A+	A+	A+	A+	A+	A+	A+	A+	A+
F=160	A+	A+	A+	A+	A+	A+	A+	A+	A+	A+	A+	A+
F=254	A	A	A	A	A+	A+	A+	A+	A+	A+	A+	A+
F=330	B	B	B	B	A	A	A	A	A	A+	A+	A+
F=420	C	C	C	C	C	B	B	B	A	A	A	A
F=525	D	D	D	D	D	C	C	C	C	C	B	B

A+:

A

A+

B

C

D

NO			
7			1.
			2.
			3. 53
			4. 5. 19
8			1. 15-20mW
9		DB25	1. DB25
			2.
10			1.
			2. 53
		PIN16 PIN21	3. PIN16 PIN21 PIN21 PIN16

第七章 服务与维修

1-

2-

400-900-9588

第八章 保修声明

1 -

2 -

1
2
3
4
5
6