

MFPT-500M

使用手册

版权说明

“ ”

引 语

MFPT

MFPT

	1
	4
	5
1-	5
2-	6
3-	6
4-	9
	10
1-	10
2-	10
3-	11
	12
1-	12
2-	13
3-	13
4-	14
	15
1-DB25	15
2-	19

3-	21
4-	22
5-	25
	26
1-	26
2-	26
	27
1-	27
2-	27
	28
1-	28
2-	28

第一章 特性说明




MFPT-500M

MFPT-500M

Class 4

第二章 安全信息

1 -

Class

500W

1064nm

2-

1

2

LaserVision USA Kentek Corporation Rochwell Laser Industries

3-

1

2

3

1

2

3

4

5

6

7

4

MFPT-500M

220VAC

AC

220VAC

5

1

2

5cm

4

3

6

1

2



3

4

5

6

7

4-

Laser Institute of America(LIA)

13501 Ingenuity Drive, Suite 128

Orlando,Florida 32826

Phone:407 380 1553,Fax: 407 380 5588

Toll Free:1 800 34 LASER

American National Standards Institute

ANSI Z136.1, American National Standard for the Safe Use of Lasers

(Available through LIA)

International Electro-technical Commission

IEC 60825-1, Edition 1.2

Center for Devices and Radiological Health

21 CFR 1040.10 - Performance Standards for Light-Emitting Products

US Department of Labor - OSHA

Publication 8-1.7 - Guidelines for Laser Safety and Hazard Assessment.

Laser Safety Equipment

Laurin Publishing

Laser safety equipment and Buyer' s Guides

第三章 产品描述

MFPT
MOPA
1064nm
25Pin
300KW

1

2

3

4 25

1

2

2-

MFPT-500M	500W
-----------	------

3-

第四章 详细规格

1-

1						
2						
3	BPP	Pout=Pnom			10	mm*mrad
4		Pout=Pnom	1060	1064	1070	nm
5	(3dB)	Pout=Pnom		8	15	nm
6	(Pnom)		500			W
7			10		100	%
8		500ns/10KHz			50	mJ
9		30ns	70		3000	KHz
		60ns	40		2000	
		150ns	19		1000	
		250ns	13		900	
		500ns	10		500	
10	(FWHM)	30ns		30		ns
		60ns		50		
		150ns		60		
		250ns		100		
		500ns		120		
11		Pout=Pnom			5	%
12			90			%

13				10		m
14		QBH				
15		200				um
16						

*

2-

1		5-40	
2		-10-60	
3			
4		1	min
		10	
5		95	%
6		52	kg
7		220	VAC
8		2000 T=20	W
9		720*482.6*190	mm

3-

1			
4		30	30
		24-26	20-23
3		4	bar
4		15	L/min
5		3.5	kW

第五章 使用指南

	1

1 -DB25

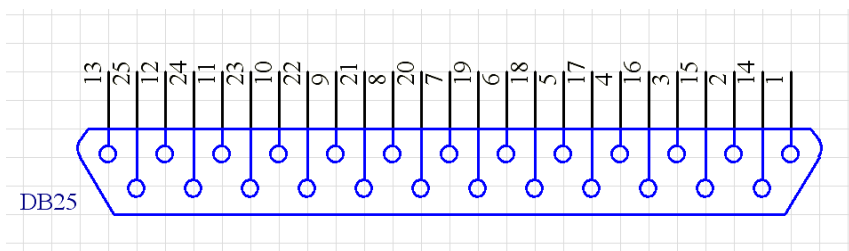
1

Pin TTL

TTL

Pin #	
1-8 DO-D7	1. 16 0-FF 10 0-255 LSB(D0) Pin1, MSB(D7) Pin8 - 00h(0): - FFh(255): - 00h.
	2. DB25.22 D1 D2

9	
14 15	
11 12 16 21	
17	+5± 0.25V DC
18	MO
	: MO
	: MO
19	booster /
	: booster
	: booster
20	()
22	1. () /
	2. ,
23	: :
24 25	



2 DB-25

1 DB25

2 Pin1-8 8bit Pin1 LSB Pin8 MSB Pin

0-255 0-100%

5 18 (EE)

5 ms

19 (EM)

18

PCB

18

ON

18

18

PCB

19

19

6 19

19

10

19

EE

5ms

EM

EE

EMON

EMON

EE ON 5ms

EMON

19

PCB

19

EMON

19

PCB

18

7 20

20

0.1 0.9

8 22

22

Pin2

Pin3

19 EM 18 EE

19 19

9 23

18 19

18 EE 19 EM

2us 23

2-

1

1

2

DB25

5.2.2

DB-25

3

18,19,22	
23	
20	

4

5 220VAC 10

6 1 8 9

7 18 EE ON

8 5ms

9 19 19
 ON/OFF

EE 10 ON/OFF EM OFF 500ms

11 EE,EM 18 19
 12

2

1 20

20

20

2 20

20

3 1 8 9 /

4 18 19

5 EE ON EM OFF,

6 EE ON EM ON 1 8

7 22 EE EM OFF
 EE EM ON

18 19 22 EE EM ON

8 24V 5V

2

4 BYTE 32 bit

[HEAD] -> [PULSEWIDTH]

2 BYTE 2 BYTE

HEAD = 0x A501

PULSEWIDTH =

10ns, 0x A501000A 32bit

4 -

1

1

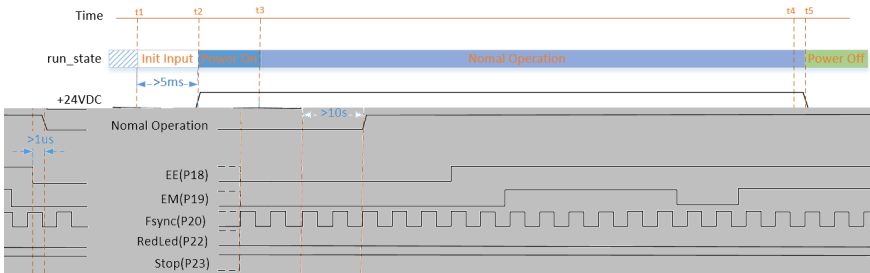
5 ms

10 s

2

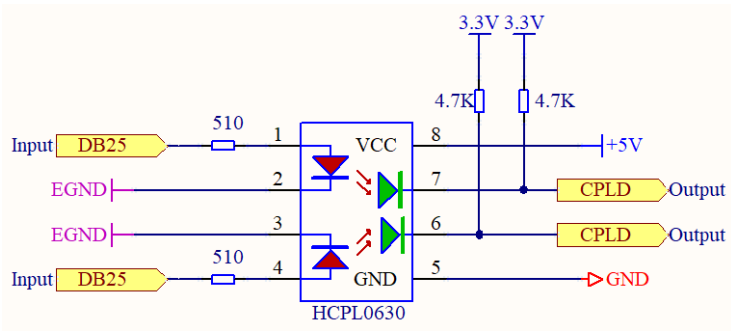
EE

1 μs



5 -

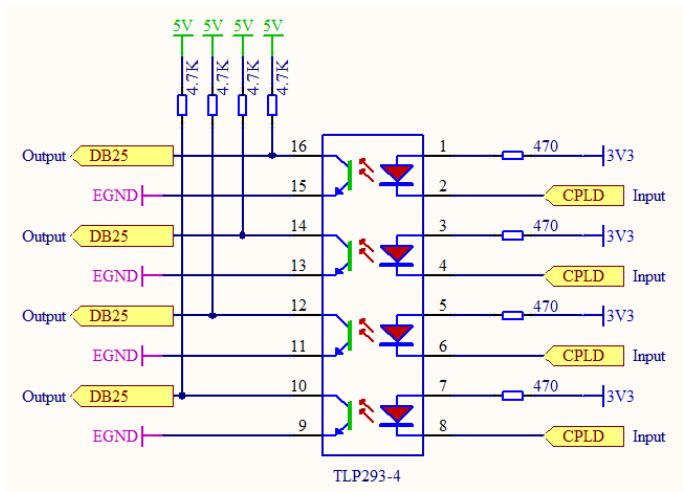
1



5 mA

15 mA

2



5 V(Pin 5 V)

50

mA

第六章 常见故障处理

1 -

1

2

3

4

5 DB25

6 PIN18 PIN19

7

DB25

2 -

1

2

3

4

5

2

6

7

第七章 服务与维修

1 -

2 -

400-900-9588

第八章 保修声明

1 -

2 -

- 1
- 2
- 3
- 4
- 5
- 6